

**KBT****617~698/698~960/1695~2700/3300~4200MHz 90°/80°/75°/55°
6/7/8/9dBi MIMO Directional Panel Antenna****TDJ-X0642BGA-MY****Application**

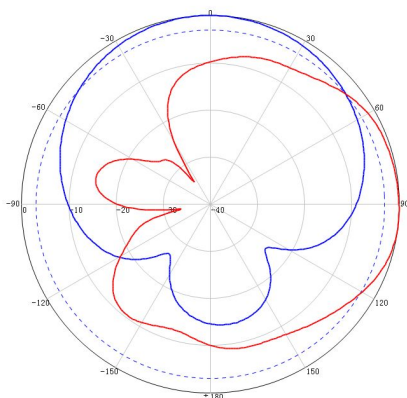
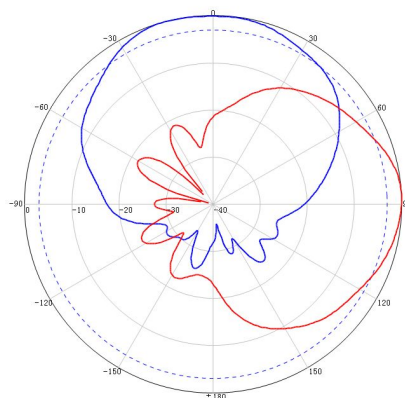
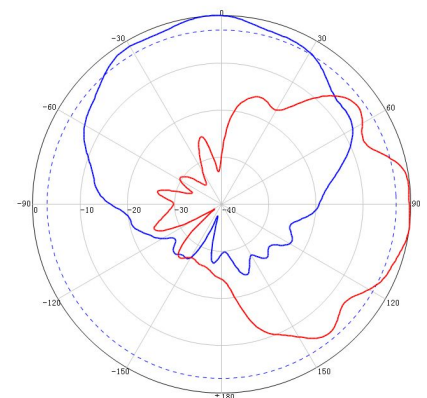
Used in 2G/3G/4G/5G/WLAN system

Electrical specifications

Frequency range (MHz)	617~698	698~960	1695~2700	3300~4200
Polarization	±45°			
Gain (dBi)	6	7	8	9
Typical Horizontal beam width (°)	90	80	75	55
Typical Vertical beam width (°)	75	80	70	50
Front-to-back ratio (dB,avg.)	14	16	25	20
Isolation (dB)	≥20	≥20	≥20	≥20
Impedance (Ω)	50			
VSWR	≤1.8			
Intermodulation IM3 (2×43dBm carrier)	-153dBc	-153dBc	-153dBc	-153dBc
Maximum power (W)	50			
Lighting protection	DC Ground			

Mechanical specifications

Connector	2*4.3-10 Female or 2*N Female
Exposed cable size (cm)	30
Connector position	Bottom
Antenna size (mm)	306*250*86
Packing size (mm)	455*260*113
Weight (kg)	≤1.5
Radome material	ABS
Radome color	White (RAL 9003)
Operating temperature (°C)	-40~60
Application	Outdoor
Mechanical tilt (°)	Adjusting Elevation 0~20/Adjusting Turn ±45
Rated wind velocity (m/s)	40
Suitable pole diameter (mm)	Φ35~Φ125
Mounting kit	JM-VB8

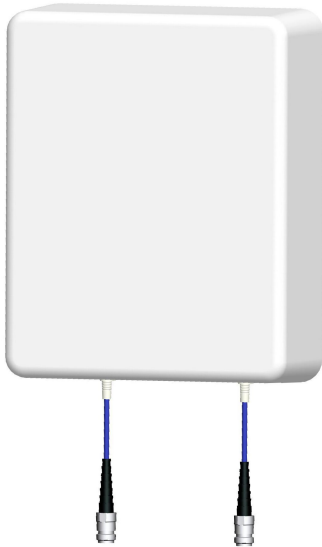
617~960MHzTypical pattern:**1695~2700MHzTypical pattern:****3300~4200MHzTypical pattern:**



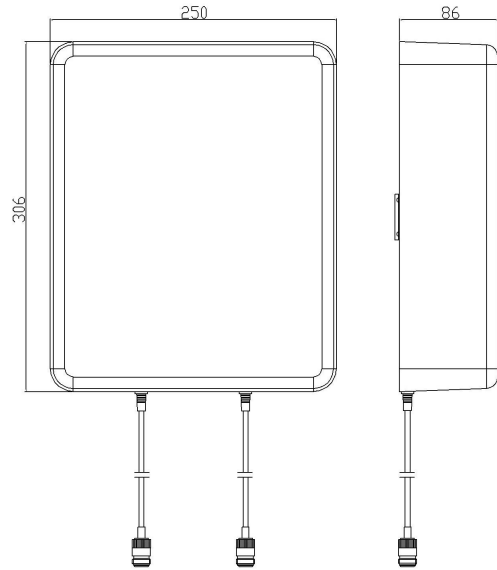
KBT

617~698/698~960/1695~2700/3300~4200MHz 90°/80°/75°/55°
6/7/8/9dBi MIMO Directional Panel Antenna

Product pictures

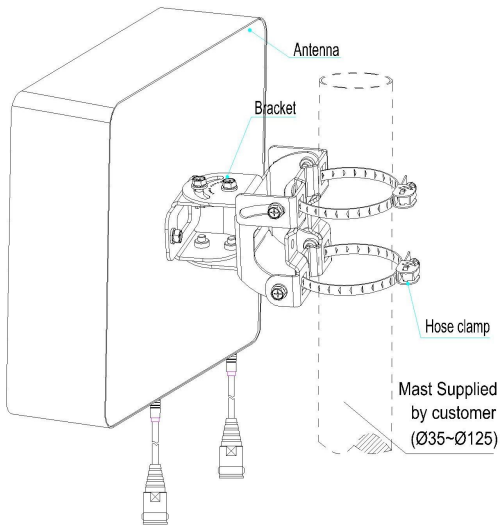


Product size



Installation Sketch

Mast Installation



Wall Installation

